



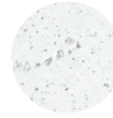
SONOMA 56

The Sonoma 56 fire pit is handmade by Dekko in North America. Ships with your choice of NG or LP burner, one decorative aggregate option and chrome On/Off key.

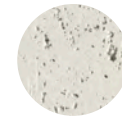
Size: 56"W x 30"D x 16"H
CSA/UL Approved Burner Assembly



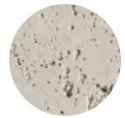
Colour Options



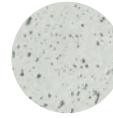
NATURAL



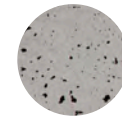
LIMESTONE



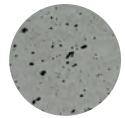
CLAY



ASH



SANDSTONE



CHARCOAL

Decorative Aggregate Options



IVORY BEACH STONE



SLATE BEACH STONE



BLACK LAVA ROCK

	Manual Ignition	Electronic Ignition
BTU/Hr	65,000	115,000
Weight	190 lbs	190 lbs
Fuel Options	NG/LP	NG/LP

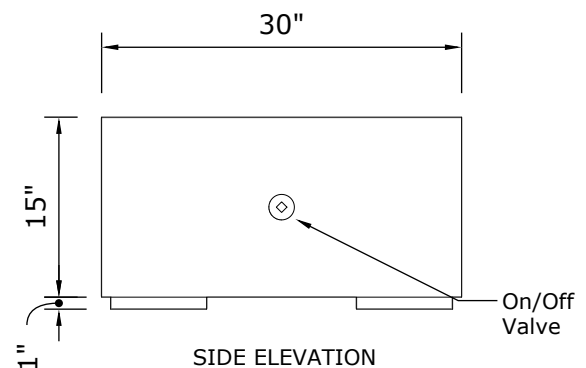
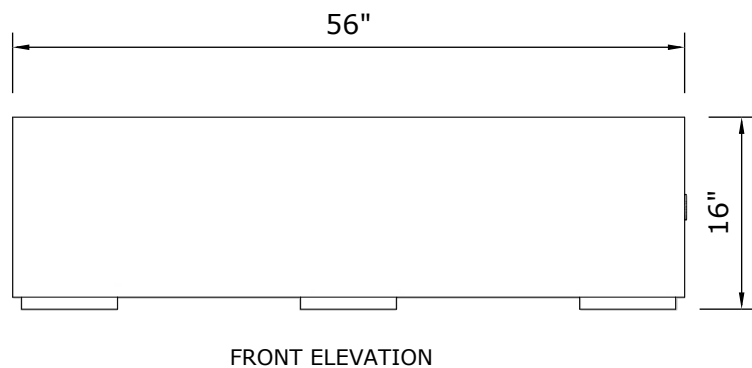
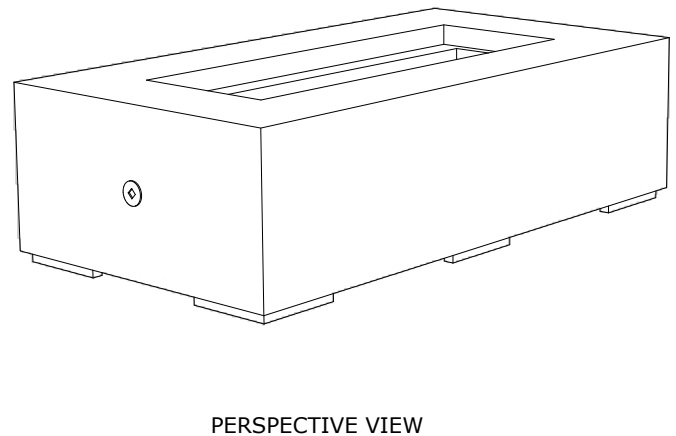
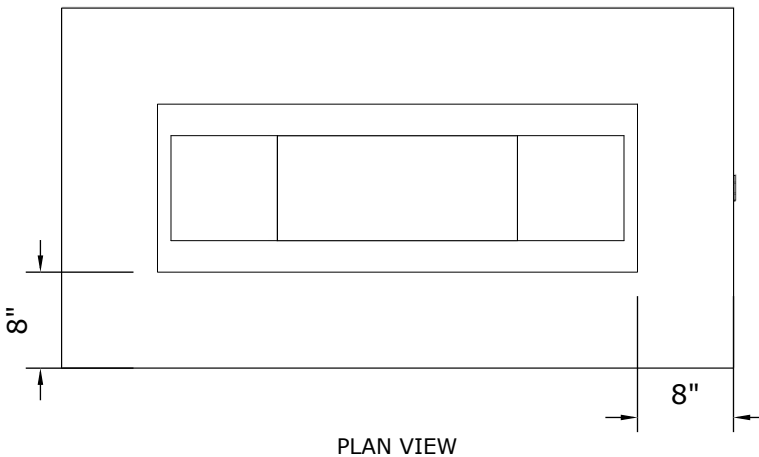
Optional Accessories:

Propane Tank Cover 16"W x 16"D x 21"H

Glass Wind Guard 43"W 15"D x 6"H

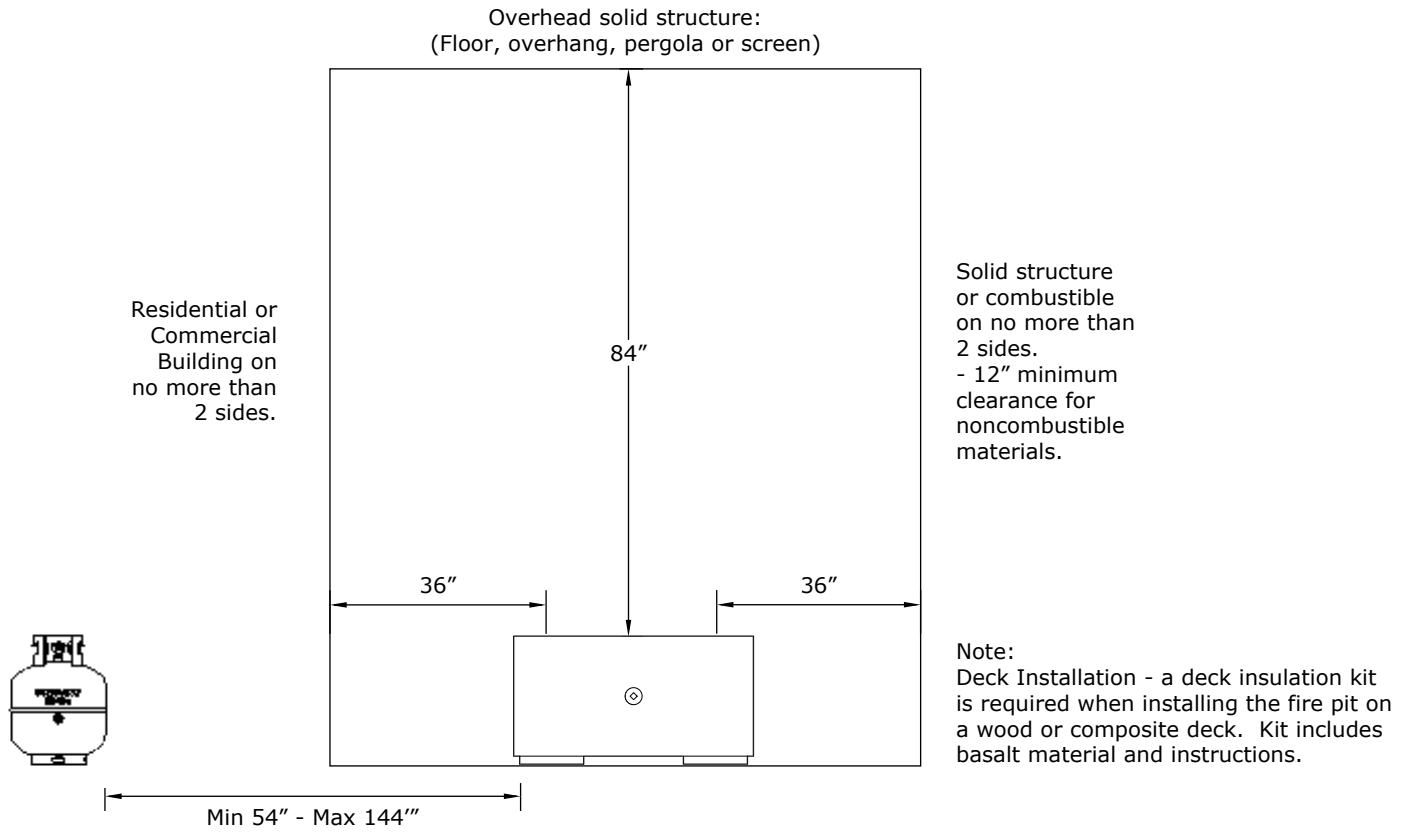
Vinyl Weather Cover

Powder Coated Aluminium Table Top 56"W x 30"D



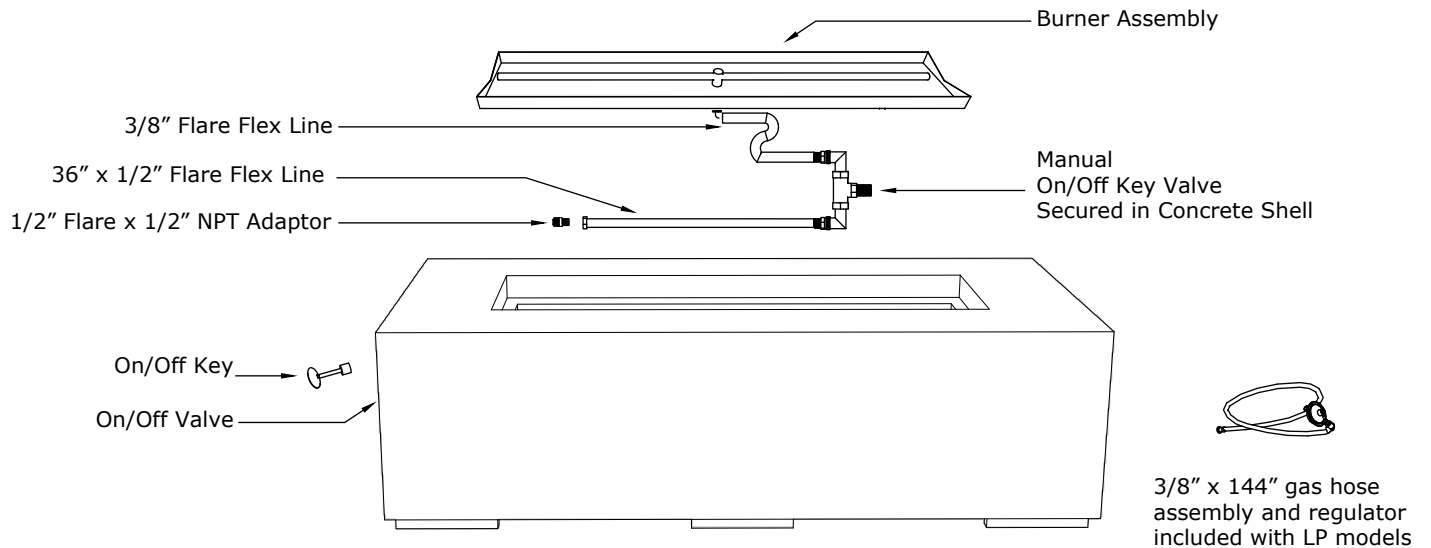


Clearances



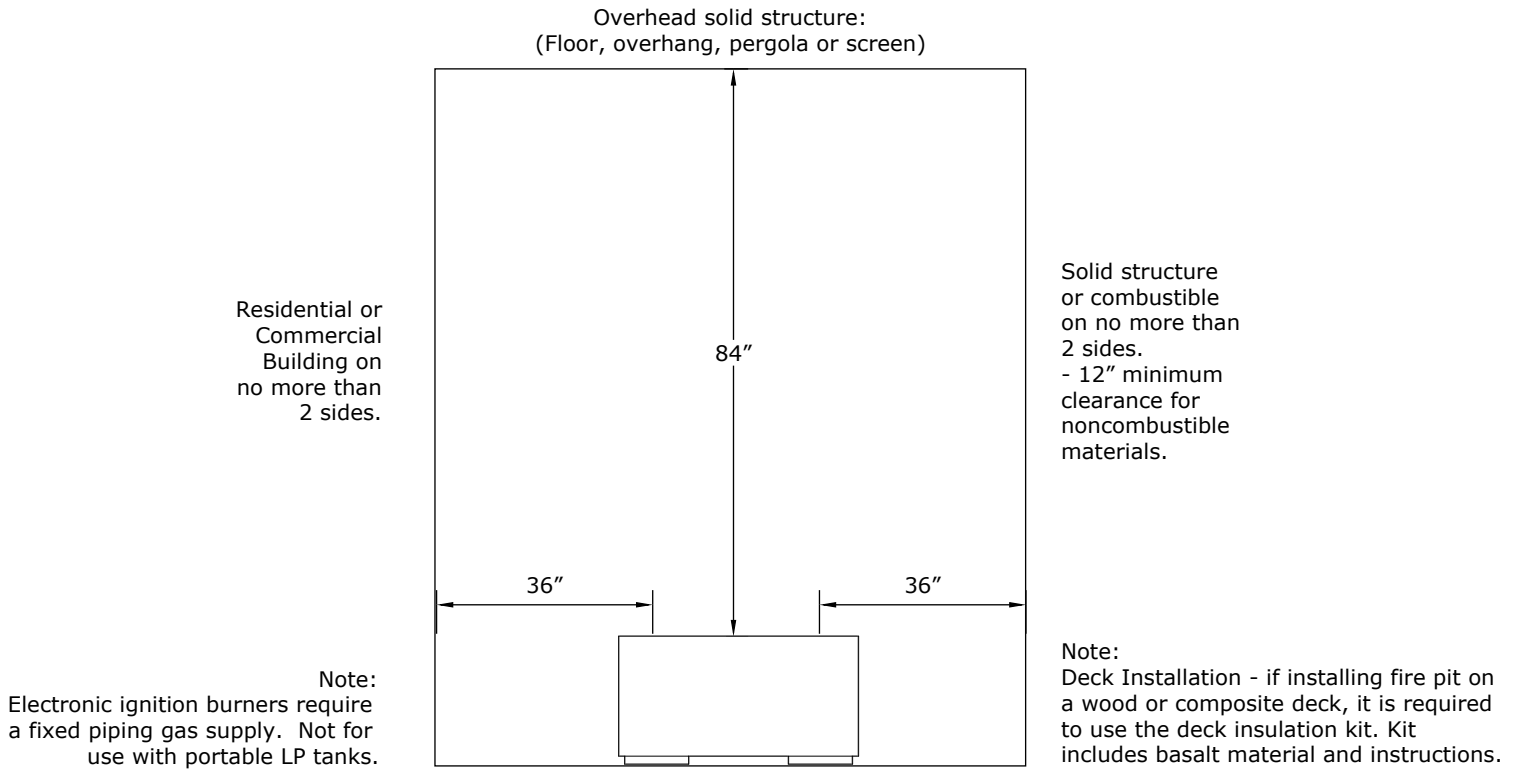
Burner Assembly

37" Match Lit Burner





Clearances



Burner Assembly

Electrical:

120V Outdoor receptacle required.
Must be installed and grounded in accordance with local codes.

37" Electronic Ignition Burner

