



# BELMONT

The Belmont fire pit is handmade by Dekko in North America. Ships with your choice of NG or LP burner, one decorative aggregate option and chrome On/Off key.

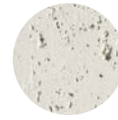
Size: 36"W x 16"H  
CSA/UL Approved Burner Assembly



### Colour Options



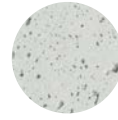
NATURAL



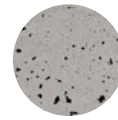
LIMESTONE



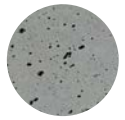
CLAY



ASH



SANDSTONE



CHARCOAL

### Colour Options



IVORY BEACH  
STONE



SLATE BEACH  
STONE

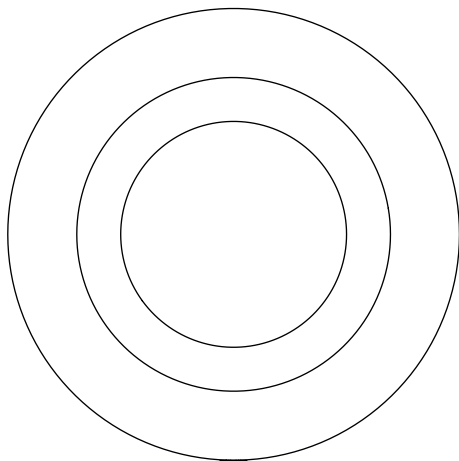


BLACK LAVA  
ROCK

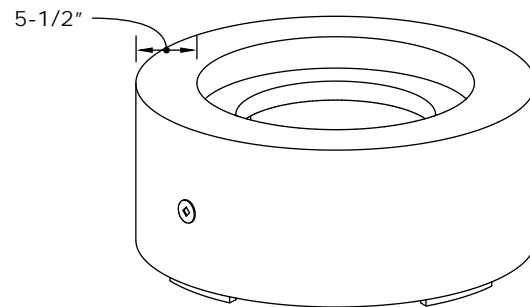
	Manual Ignition	Electronic Ignition
BTU/Hr	65,000	140,000
Weight	120 lbs	120 lbs
Fuel Options	NG/LP	NG/LP

### Optional Accessories:

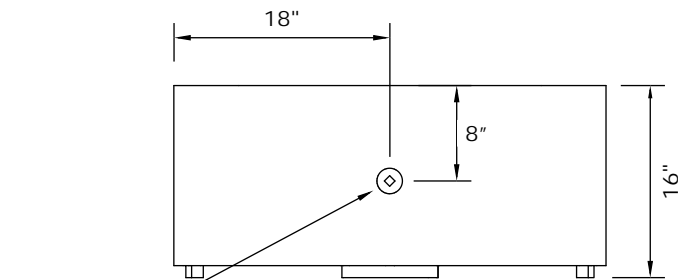
- Propane Tank Cover 16"W x 16"D x 21"H
- Glass wind Guard 30"D x 6"H
- Vinyl Weather Cover
- Powder Coated Aluminium Table Top 36"D



PLAN VIEW

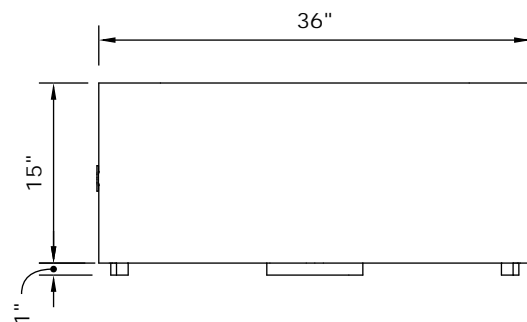


PERSPECTIVE VIEW



ON/OFF  
VALVE

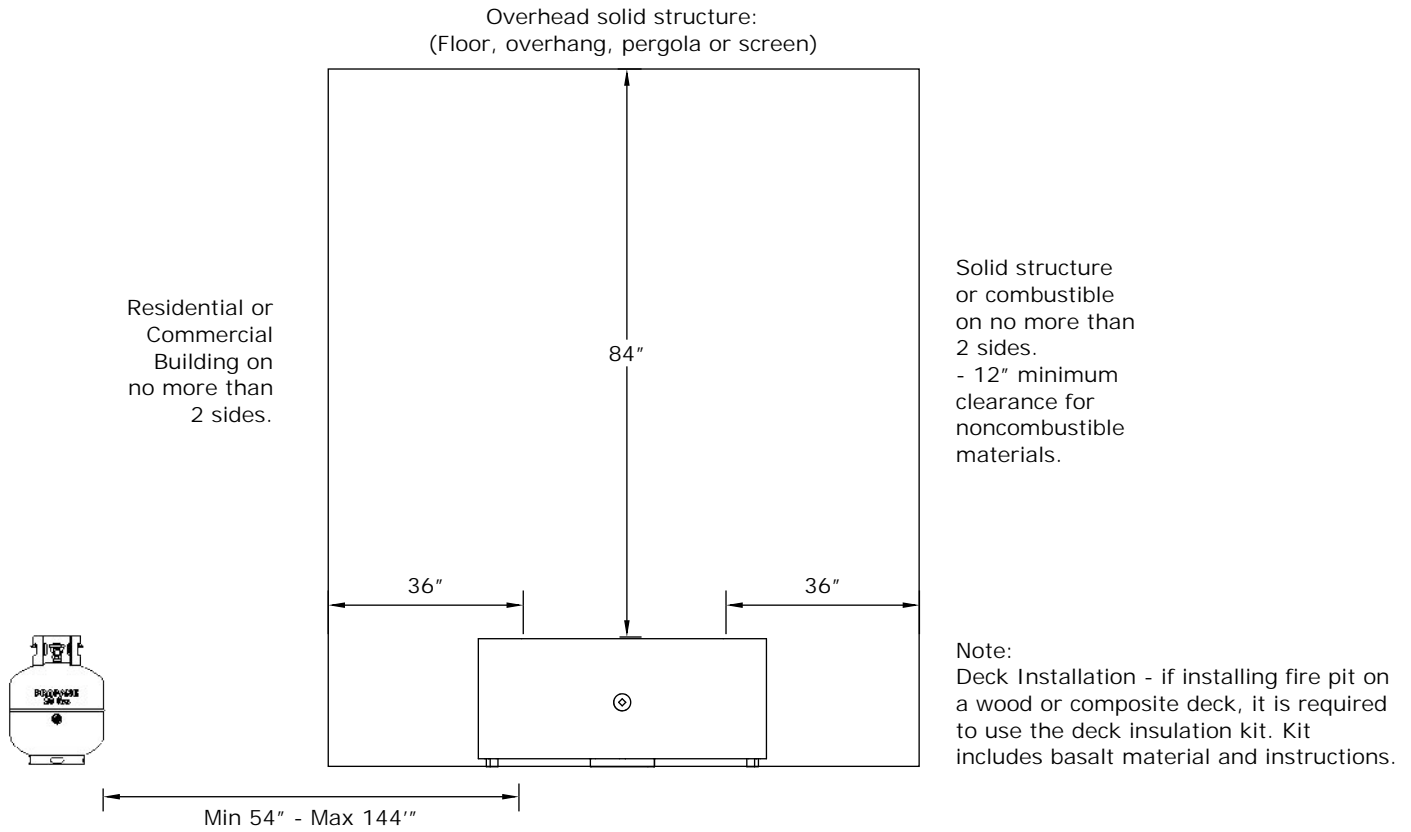
FRONT ELEVATION



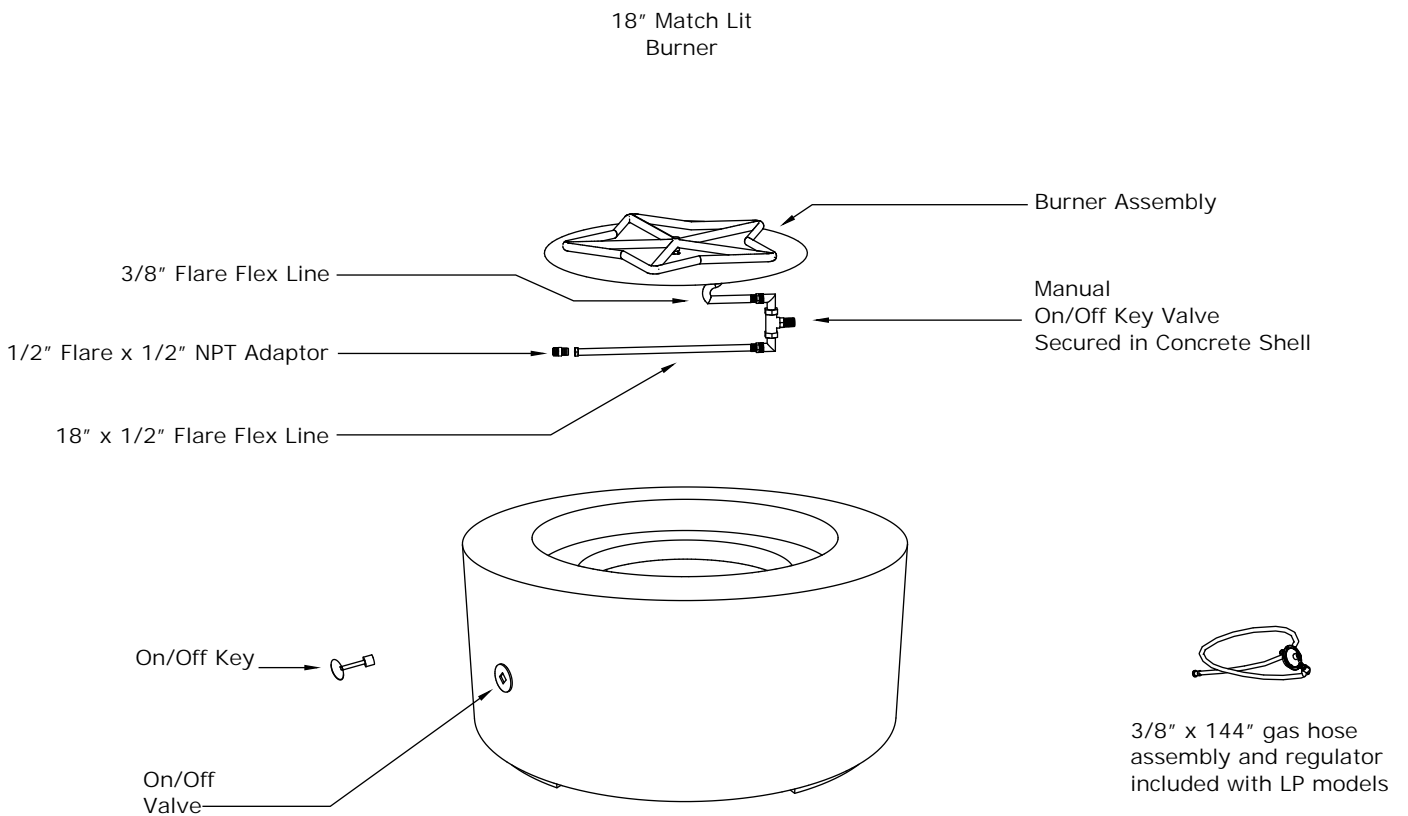
SIDE ELEVATION



## Clearances

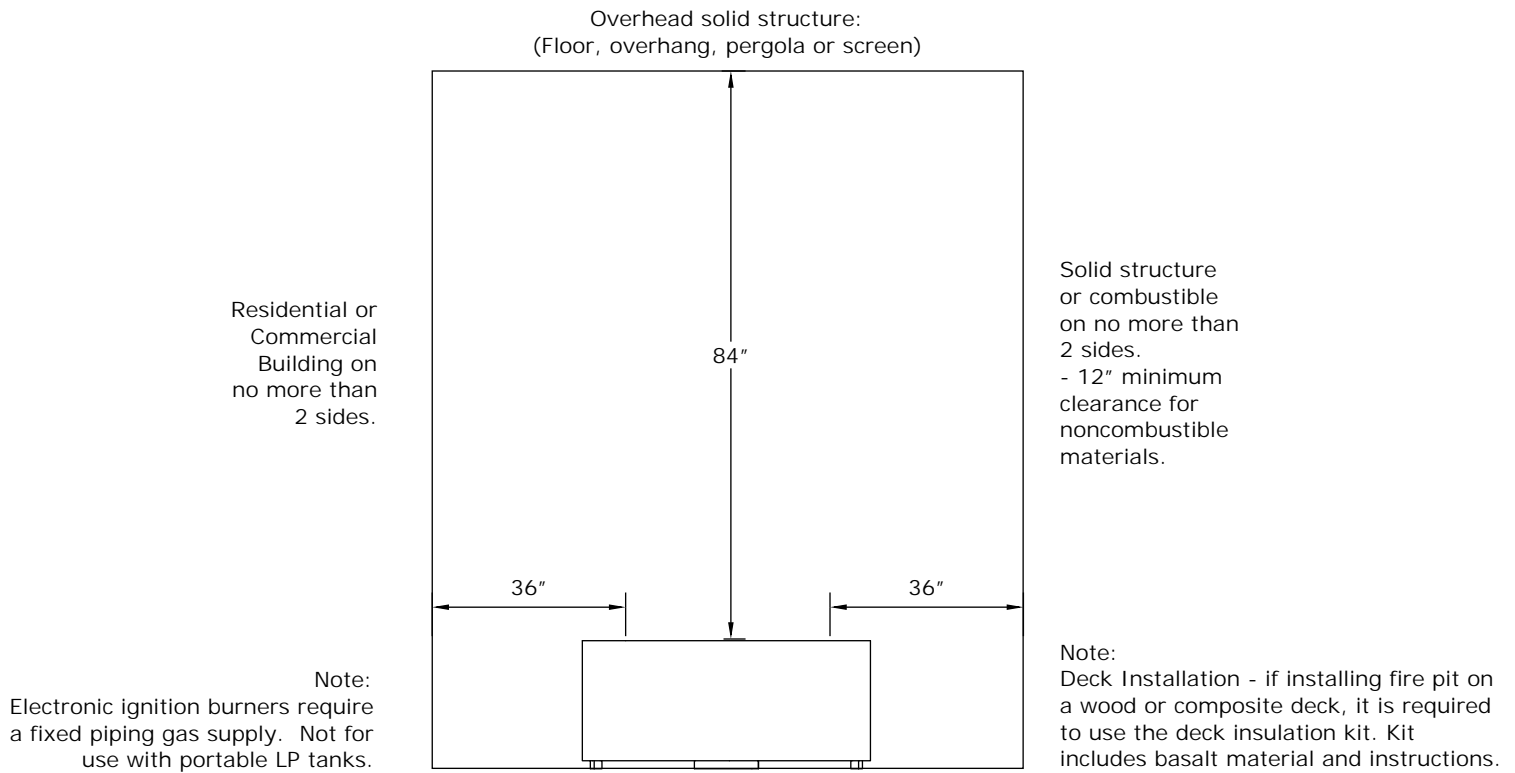


## Burner Assembly





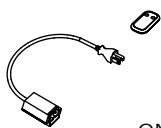
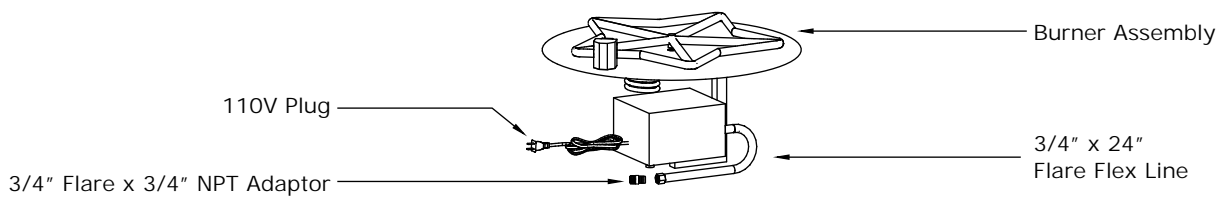
### Clearances:



### Burner Assembly

Electrical:  
120V Outdoor receptacle required.  
Must be installed and grounded in accordance with local codes.

24" Electronic Ignition Burner



ON/OFF remote control included with Electronic Ignition models

