



AVERA 60

The Avera 60 fire pit is handmade by Dekko in North America. Ships with your choice of NG or LP burner, one decorative aggregate option and chrome On/Off key.

Size: 60"W x 25-3/4"D x 16"H
CSA/UL Approved Burner Assembly

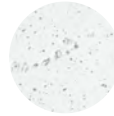


	Manual Ignition	Electronic Ignition
BTU/Hr	65,000	150,000
Weight	175 lbs	175 lbs
Fuel Options	NG/LP	NG/LP

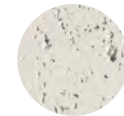
Optional Accessories:

- Propane Tank Cover 16"W x 16"D x 21"H
- Glass Wind Guard 55"W 15"D x x 6"H
- Vinyl Weather Cover
- Powder Coated Aluminium Table Top 60"W x 25-3/4"D

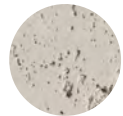
Colour Options



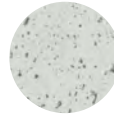
NATURAL



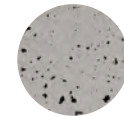
LIMESTONE



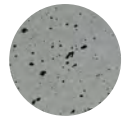
CLAY



ASH



SANDSTONE



CHARCOAL

Decorative Aggregate Options



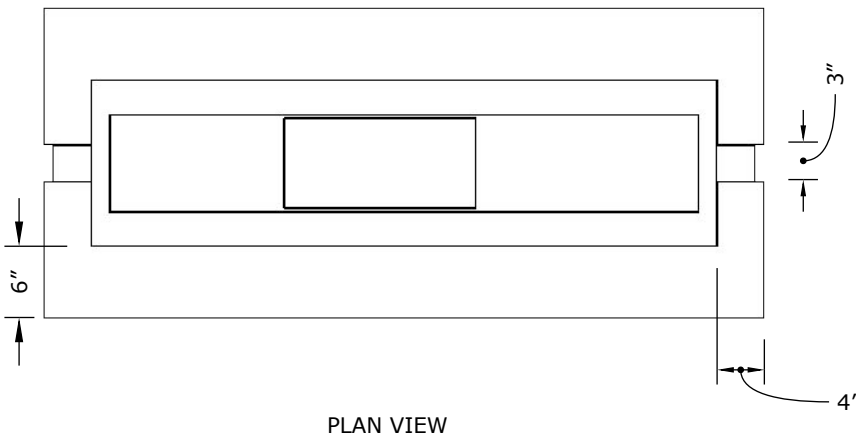
IVORY BEACH STONE



SLATE BEACH STONE

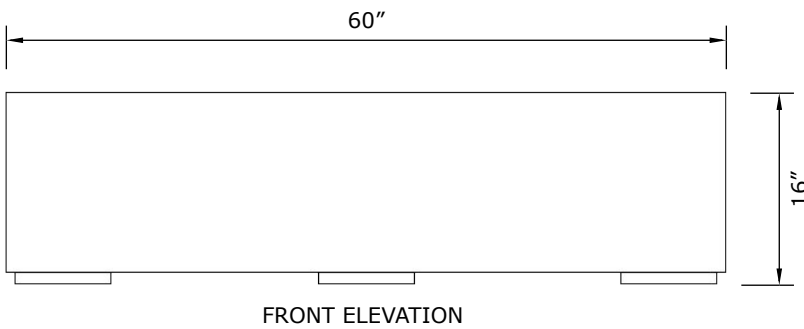


BLACK LAVA ROCK

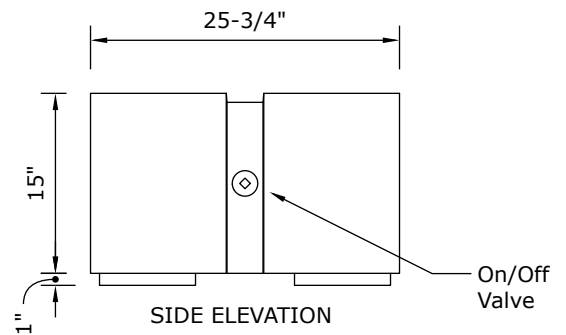


PLAN VIEW

PERSPECTIVE VIEW



FRONT ELEVATION

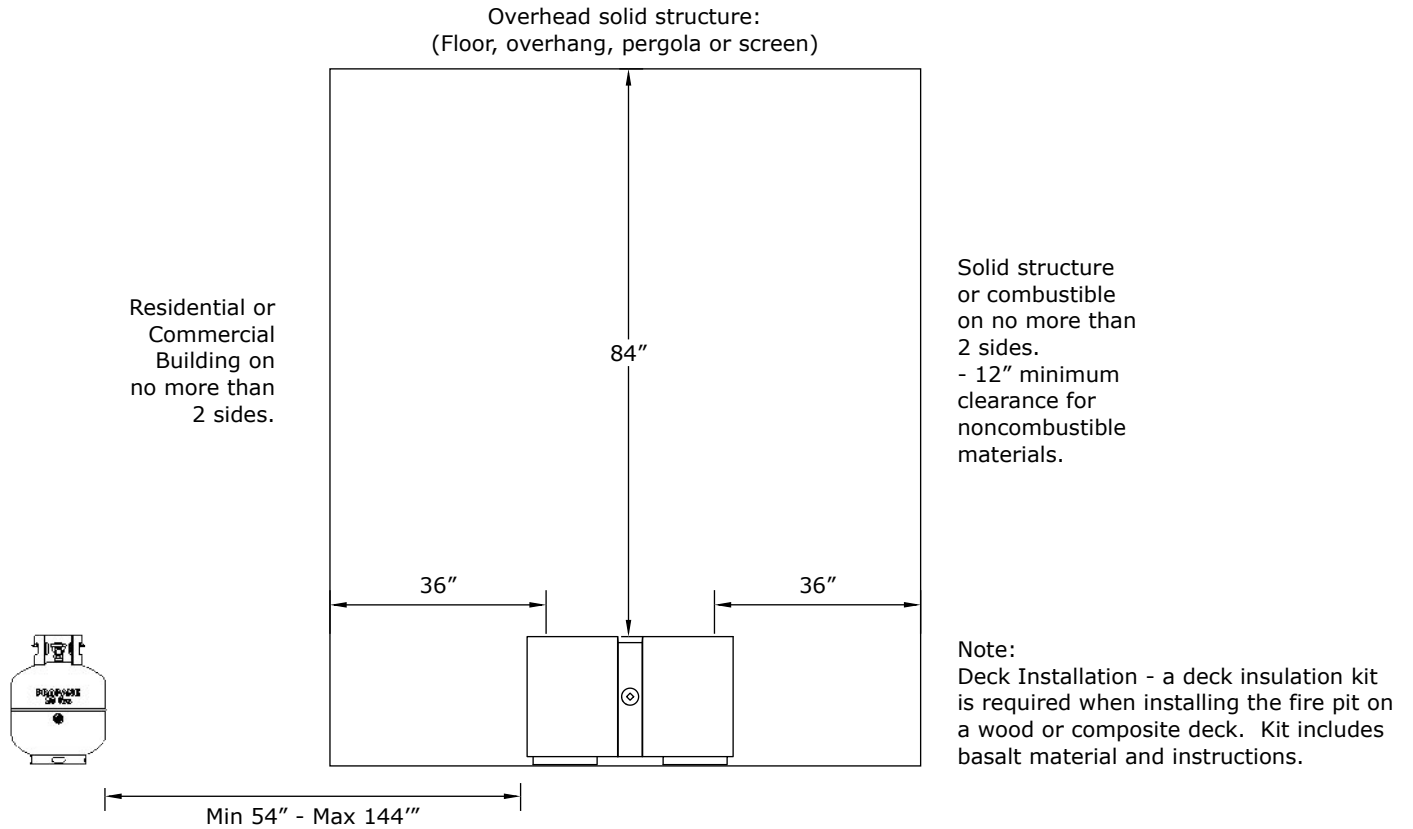


SIDE ELEVATION

On/Off Valve

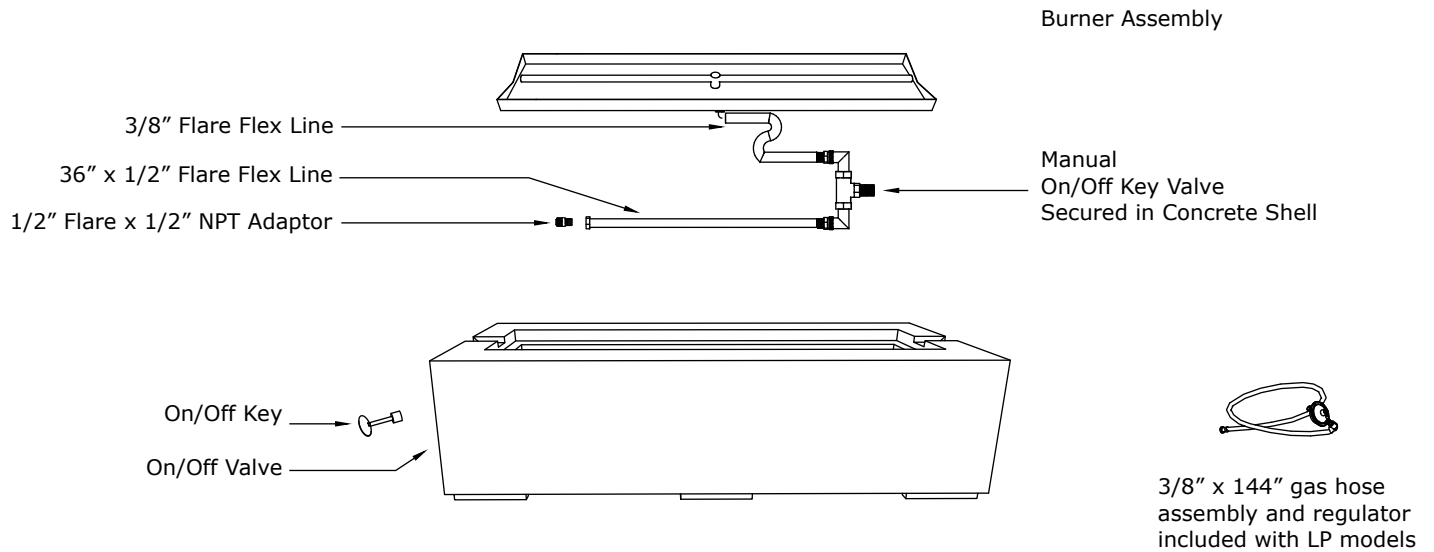


Clearances



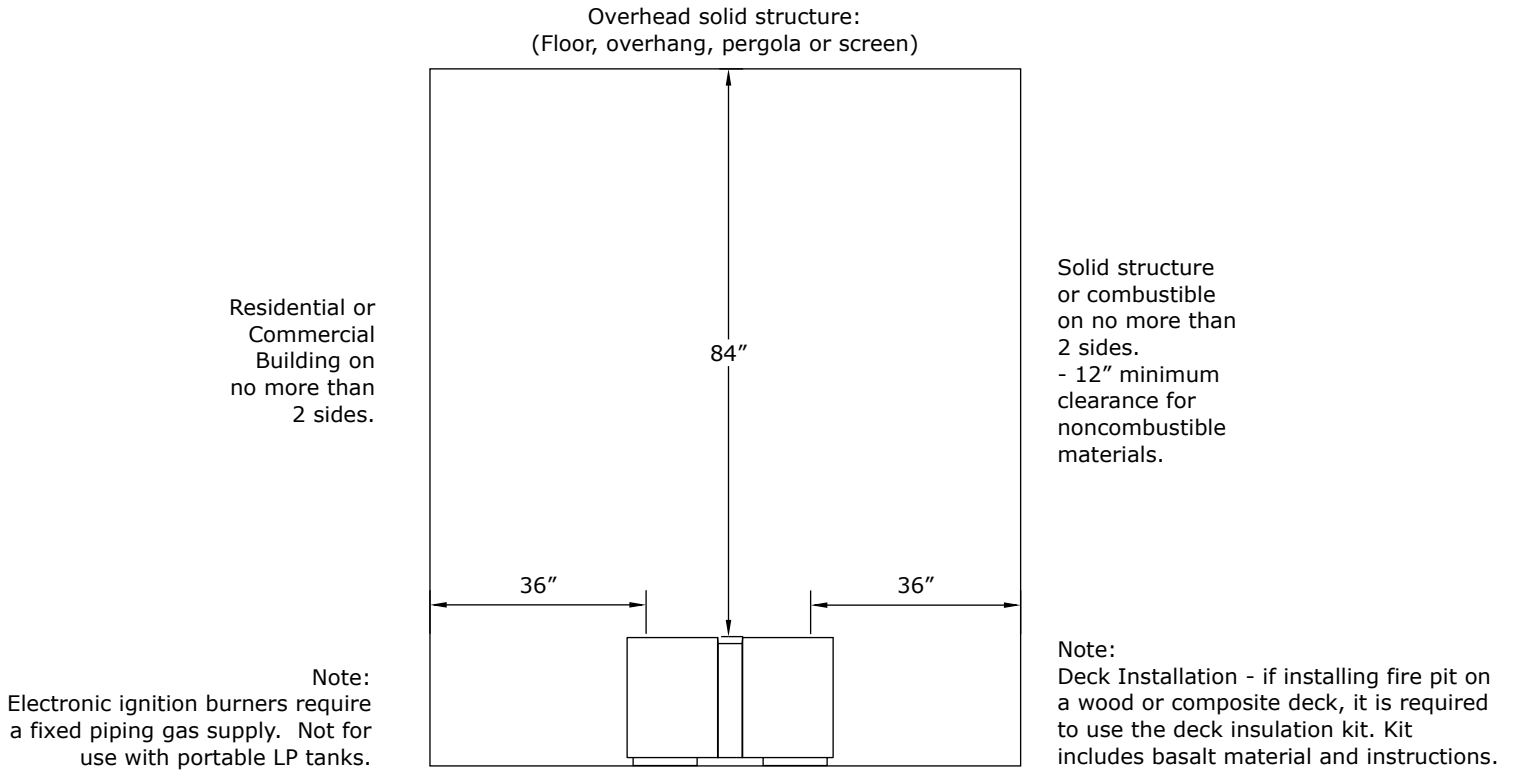
Burner Assembly

49" Match Lit Burner





Clearances



Burner Assembly

Electrical:
120V Outdoor receptacle required.
Must be installed and grounded in accordance with local codes.

49" Electronic Ignition Burner

